



# SHOPSMITH DC-330L DUST COLLECTOR OWNER'S MANUAL



For more information:  
**[www.shopsmith.com](http://www.shopsmith.com)**

For Question or Support:  
**(937) 890-5197**



# SHOPSMITH DC-330L DUST COLLECTOR



## DC-330L DUST COLLECTOR

Designed and Built in Dayton, Ohio.

## TABLE OF CONTENTS

- 1. Safety..... 2
- 2. Unpacking and Checking Contents..... 7
- 5. Parts List ..... 7
- 3. Parts Explosion..... 8
- 4. Assembly..... 9
- 5. Accessories & Upgrades ..... 10

## WARNING

Read the SAFETY information in the Introduction section and complete the ASSEMBLY procedures before operating the Shopsmith DC-330L Dust Collector. To avoid mistakes that could cause serious injury, do not plug the dust collector in until the SAFETY steps have been read and understood.

## WELCOME TO SHOPSMITH

Congratulations on your new Shopsmith DC-330L Dust Collector. The DC-330L is perfect for keeping your workshop environment from accumulating large volumes of shavings and helps you avoid inhaling superfine dust. It is built to deliver years of reliable service.

## HOW TO USE THIS OWNER'S MANUAL

First, pay special attention to the SAFETY rules. Go through the Parts Explosion, then read the section on Assembly. Finally, return to the SAFETY section and reread the SAFETY rules. Then go to and do the Assembly instructions before you perform any operations.

## SAFETY

**TO REDUCE THE RISK OF FIRE, ELECTRIC SHOCK, OR INJURY. READ, UNDERSTAND AND FOLLOW THIS INSTRUCTION MANUAL AND ALL LABELS ON THE DUST COLLECTOR BEFORE OPERATING. USE ONLY AS DESCRIBED IN THIS MANUAL.** READ and become familiar with this entire instruction manual. Learn the machine's application, limitations and possible hazards. Safety standards will be explained in detail starting on page 2 of this manual.





## SAFETY FIRST

**READ, UNDERSTAND AND FOLLOW ALL THE INFORMATION IN THIS OWNER'S MANUAL.** The meanings of WARNINGS, CAUTIONS, AND NOTES are:

A  is given when failure to follow the directions could result in injury, loss of limb, or life.

A  is given when failure to follow the directions could result in temporary or permanent damage to the equipment.

A  is used to highlight an important procedure, practice or condition.

EX:  It is important to provide adequate lighting in your shop area.

## EYE PROTECTION

- Always wear eye protection when you use power equipment. Use goggles, safety glasses or a face shield to protect your eyes.
- Goggles completely surround and protect your eyes. Be sure your goggles fit closely, but comfortably.
- Safety glasses don't fog as easily as goggles and can be worn all the time. Regular eyeglasses normally have only impact resistant lenses. They are not safety glasses.
- A face shield protects your entire face. And you can flip it up out of the way when you don't need it. A face shield can be used with regular glasses.

## EAR PROTECTION

- Prolonged exposure to high noise levels from high speed power equipment can damage your hearing.
- Hearing protectors screen out noise that can damage your ears. Wear hearing protection when you are exposed to high intensity power equipment noise.



Use only hearing protection made in conformity to EN-847-1. When the average noise level is 86 db., hearing protection is recommended.

## STANDARD SAFETY PRECAUTIONS

- AVOID DANGEROUS CONDITIONS. DO NOT use machine in wet or damp areas or expose them to rain. Keep work area well lit.
- DO NOT use machine in the presence of flammable liquids or gases.
- KEEP BYSTANDERS AT A SAFE DISTANCE FROM the work area, especially when machine is operating. NEVER allow children near the machine.
- DO NOT FORCE THE MACHINE to do a job for which it was not designed.
- DRESS FOR SAFETY. DO NOT wear loose clothing, gloves, neckties, or jewelry (rings, watches) when operating tool. They can get caught and draw you into moving parts. ALWAYS wear non-slip footwear, and tie back long hair.
- WEAR A FACE MASK OR DUST MASK.
- ALWAYS remove the power cord plug from the electrical outlet when making adjustments, changing parts or cleaning machine.



- AVOID ACCIDENTAL START-UPS. Make sure that the power switch is in the "OFF" position before plugging in the power cord.
- NEVER LEAVE A MACHINE RUNNING UNATTENDED. Turn the power switch to "OFF". DO NOT leave tool until it has come to a complete stop.
- NEVER STAND ON A MACHINE. Serious injury could result if the machine tips or is accidentally hit.
- DON'T OVERREACH. Keep proper footing and balance at all times. Wear oil-resistant rubber-soled footwear. Keep floor clear of oil, scrap and other debris.
- MAINTAIN MACHINE PROPERLY. ALWAYS keep machine clean and in good working order. Follow instructions for lubricating and changing accessories.
- CHECK DAMAGED PARTS. Check for alignment of moving parts, binding of moving parts, breakage of parts, improper mounting or any other conditions that may affect the machine's operation. Any part that is damaged should be properly repaired or replaced before use.



Dust generated from certain materials can be hazardous to your health.

## SPECIFIC SAFETY RULES

- THE FILTRATION HOUSING contains a high speed turbo fan that can amputate fingers, grab loose clothing and neckties, and propel dust at high velocities. DO NOT OPERATE WITHOUT ALL PARTS IN PLACE.
- DO NOT attempt to clean, remove the dust bags, or service the unit when the power is ON. Turn the unit "OFF" and disconnect the cord from the power source.
- STATIC SHOCKS ARE common in dry areas or when the relative humidity of the air is low. The use of a humidifier in the home will help raise the relative humidity, and may reduce static shocks.
- SPARKS inside the electrical parts can ignite flammable vapors or dust.
- DO NOT vacuum, or use the Dust Collector near flammable or combustible liquids, gases, gasoline or other fuels, lighter fluid, cleaners, oil-based paints, natural gas, hydrogen, or explosive dusts like coal dust, magnesium dust, grain dust, or gun powder.
- TO AVOID HEALTH HAZARDS from vapors or dusts, do not vacuum toxic materials.
- DO NOT use or store near hazardous material.
- DO NOT use outdoors or on wet surfaces.
- PUT THE UNIT on a stable, level surface.
- POSITION the vacuum hose and electric cord away from traffic areas.
- DO NOT ALLOW THE UNIT OR BE USED AS A TOY. Close attention is necessary when used by or near children.
- DO NOT LEAVE the Dust Collector plugged in. Unplug from the outlet when not in use and before servicing.
- TO AVOID INJURY from accidental starting, unplug the power cord before changing or cleaning the filter/dust bag or chip bag.
- DO NOT use without the filter bag and /or collection bag in place.
- DO NOT unplug by pulling on the cord. To unplug, grasp the plug, not the cord.
- TURN OFF THE CONTROLS before unplugging.
- DO NOT use with a damaged cord, plug, or other parts. If your Dust Collection System is not working as it should, has missing parts, has been dropped, damaged, left outdoors, or dropped into water, return it to an authorized Service Center.
- DO NOT pull or carry by cord, use the cord as a handle, close a door on the cord, or pull the cord. Keep the cord away from heated surfaces.
- DO NOT handle the plug of the Dust Collector with wet hands.



- DO NOT put any object near the ventilation openings. Do not vacuum with any ventilation opening blocked; keep free of dust , lint, hair or anything that may reduce air flow.
- KEEP hair, loose clothing, fingers, and all parts of the body away from opening and moving parts.
- EXTENSION CORDS in poor condition or that are too small can cause fire and shock hazards. When using an extension cord, be sure it is in good condition.
- CONNECT to a properly grounded outlet only.
- USE ONLY heavy duty plastic trash bags, or replacement bags bought with Shopsmith, when replacing the collection bag.
- CAUTION: If using this Dust Collector to help keep airborne wood dust in heavy usage within acceptable limits, you must regularly monitor air borne dust and maintain your Dust Collector to avoid exceeding dust limits. Each application is unique. Your maintenance schedule must, therefore, be tailored to your specific use of this Dust Collector.
- SAFETY is a combination of common sense, staying alert, and knowing how your Dust Collector works.



TO AVOID MISTAKES THAT COULD RESULT IN SERIOUS, PERMANENT INJURY, DO NOT CONNECT THE POWER CORD UNTIL THE FOLLOWING STEPS HAVE BEEN SATISFACTORILY COMPLETED.

## **BEFORE USING THE DUST COLLECTOR SYSTEM**

1. Complete the assembly and mounting.
2. Learn the function and proper use of the ON/OFF switch.
3. Read and understand all safety instruction and operating procedures throughout the manual.
4. Read the labels that appear on the dust collector.

## **BEFORE EACH USE**

1. Inspect your Dust Collector. If any parts are missing , bent, or fail in any way, or any electrical components do not work properly, turn off the Dust Collector, remove the switch key, and remove the power cord from the power source.
2. Replace damaged, missing, or failed parts before using the Dust Collector again.
3. Plan your work to protect your eyes, hands, face, ears, and body.



**WHEN CLEANING** collection bags, wear a dust mask.



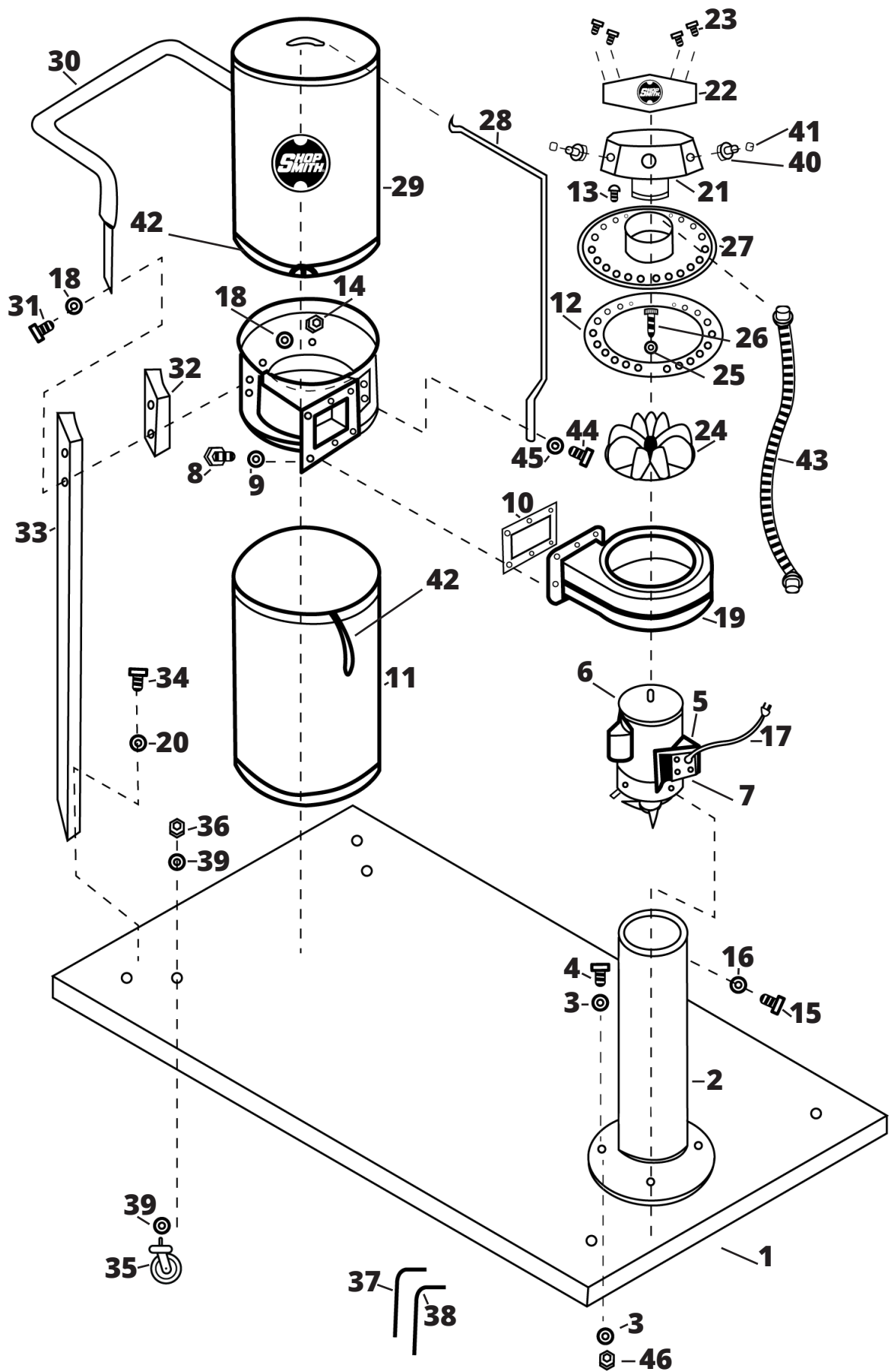
## UNPACKING AND CHECKING CONTENTS

PARTS	QUANTITY
Base	1
Motor, Fan & Switch ASM	1
Filtration Housing	1
Filter Bag	2
Straps and Seal	2
3-Way Inlet Assembly	1
Collection Bag	1
Hose	1
Plug Assembly	2
Hardware Bag - 523175	1
Casters	4
Support Rod	1
Blocks	2
Handle	1
Column	1
Support Legs	2

## EXPANDED PART LIST

#	PARTS	QTY	PART#	#	PARTS	QTY	PART#
1	Base	1	523180	24	Turbo Fan	1	523199
2	Column	1	523181	25	Washer, Spring : M6	1	523200
3	Washer, Flat : M8	8	523182	26	Screw, Soc Head : M6 - 1.6x20 LH	1	523201
4	Screw, Hex Head : M8 - 1.25x16	4	523186	27	Inlet Cover	1	523202
5	Switch Box	1	523184	28	Support, Bag	1	523203
6	Motor	1	523177	29	Filter Bag with Logo	1	523178
7	Key, Switch	1	523185	30	Handle	1	523204
8	Screw, Hex Head : M6 - 1x16	6	523186	31	Screw, Hex Head : M8 - 1.25x45	4	523205
9	Washer, Flat : M6	6	523187	32	Block	2	523206
10	Seal, Square	1	523188	33	Leg	2	523207
11	Collection Bag	1	523179	34	Screw, Hex Head : M8 - 1.25x10	2	523216
12	Seal, Round	1	523189	35	Caster Wheel	4	523176
13	Screw, Pan Head : M5 - .8x10	12	523190	36	Nut, Hex Cap : M10 - 1.5	4	523208
14	Nut, Hex : M8 - 1.25	4	523191	37	Wrench, Hex Key	1	523209
15	Screw, Pan Head : M4 - .7x8	3	523192	38	Wrench, Hex Key	1	523210
16	Washer, Flat : M4	3	523193	39	Washer, Flat : M10	8	523211
17	Power Cord	1	523394	40	Plug	2	514824
18	Washer, Flat : M8	8	523195	41	Cap	2	514928
19	Fan Housing	1	523196	42	Strap	2	523212
20	Washer, Flat : M8	2	523197	43	Hose	1	300004
21	3-Way Inlet Assembly	1	523198	44	Screw, Hex Head : M4 -.7x10	2	523213
22	Logo Plate	1	514817	45	Washer, Flat : M4	2	523214
23	Screws, Self Taping : #10x1/2"	4	514832	46	Nut, Hex : M8 - 1.25	4	523215



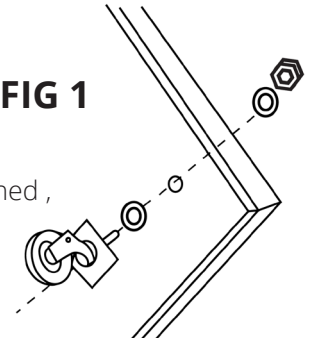


## INSTALL THE CASTERS ON THE BASE PLATE

Locate the four swivel casters, eight 10MM flat washers and four 10MM hex cap nuts from the hardware pack. NOTE: Some of these fasteners may be already mounted on the caster stems.

1. Place a flat washer onto the caster's threaded stud, and insert the stud through one of the four holes in the corner of the base plate.
2. Place a flat washer and hex cap nut onto the threaded stud of the caster and tighten. (FIG.1)
3. Repeat steps 1 and 2 for the remaining three swivel caster assemblies.

FIG 1



## INSTALL MOTOR, FILTRATION, & HANDLE

3. Put the collector motor on the column with the outlet parallel to the base and the holes aligned, tighten all three screws. (FIG.2) If the alignment of the screws (FIG. 2) is incorrect, remove the three screws in the column and turn the column to the correct direction, then retighten the screws.
4. Align the filtration housing inlet with the outlet, place the square seal between them, then tighten them with six washers and six bolts. (FIG.3)
5. Insert the 4 bolts through the vertical column, the handle and the block and align their holes with the filtration housing hole, then tighten them with washers & nuts. (FIG.4)

FIG 2

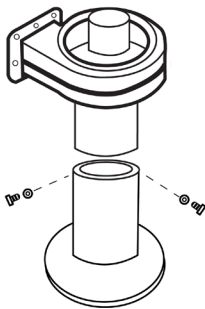


FIG 3

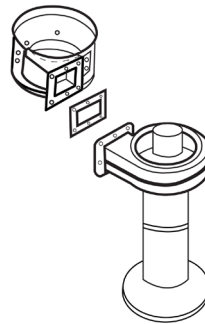
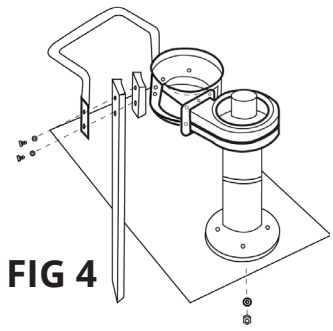


FIG 4



## INSTALL FILTRATION HOUSING AND BAGS

6. Align the holes on the bottom of the column with the base holes, insert the four bolts with washers from top and tighten. (FIG.5) Attach bottom of leg to base with 2 bolts and 2 washers
7. Put the hook of the bag hanger upwards, align the holes with holes in the filtration housing, insert the two screws with washers and tighten. (FIG.6)
8. Attach the filter and collection bags and fasten the straps. The top of the filter bag should be put on the hook. (FIG.7)
9. Forcefully press bottom cylinder of 3-way inlet on to cylinder of inlet cover (FIG.8)

FIG 5

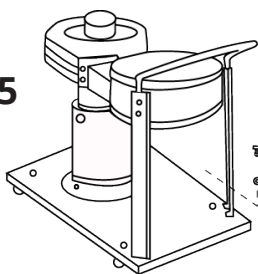


FIG 6

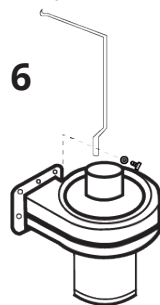


FIG 7

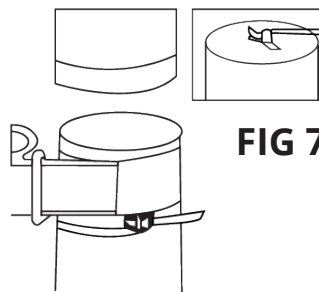
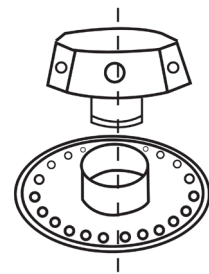


FIG 8



Now you have finished the assembly process. Re-inspect to check whether the bolts and screws are tight and parts are firmly attached. After the re-inspection, you can connect the machine to a power source try it out.





### UTILITY VACUUM EXTENSION -555582

A great dust collection pickup that features a flexible gooseneck that attaches to your machines to hold a pick-up in position... at the source of your dust production problem. It's a great product and is highly recommended.

**Features:** a 2-1/2" opening for connection to the DC-330L. Special Support Brackets attach directly to machines to accept a strong, flexible, vinyl-covered gooseneck that rotates a full 360° for unlimited positioning.

**Includes:** Extension Assembly • Small Floor Pick-Up • Support Bracket • Hardware • Drill bit • Plus Instructions for installation. **555520 Extra Extension Support Bracket**



### STAY-PUT PICKUP & CLAMP SYSTEM -556186

New Stay-Put Dust Collection Pickup & Clamp System. The 2-1/2" Hose expands from 12" to 36" in length, can be bent into practically any shape, and stays where you aim it! The clamp (included) secures the hose bracket to your work table or any surface allowing you to position the hose where you need it.

Includes hose end-fittings. It's amazing... and works great!

**The Stay-Put Dust Collection system includes:** Stay-Put Hose • (2) Ending Fittings • Bracket and • Clamp.

**Note:** Optional 515430 coupler is required to connect the Stay-Put to an existing hose.

## FITTINGS

Coupler - connect two hoses together for extended reach with this coupler (use only with 2-1/2" diameter hoses). Female on each end. **515430**

2-1/2" Elbow - Designed for use on machines with side-mounted outlets to relieve hose strain. Male on one end, female on the other. **514521**

2-1/4" Inlet Plug - Made to fit into Shopsmith DC-330L Dust Collector outlet when fewer than three hoses are used at once. Improves air flow. **514929**

14" Utility Nozzle - Connects to 2-1/2" extension wand (offered separately) to provide quick, convenient floor pickup without back-bending effort. **514826**

20" Long x 2-1/2" Diameter Extension Wand - Wands can be used with utility nozzle or brush attachment for floor, machine, shelf and bench clean-up. 20" long. Male one end - Female the other. **514825**

2-1/2" Elbow Dusting Brush - Used for dusting shelves, walls and tools. Female connector. **514828**

2-1/2" Diameter Hook-Up Ferrule - Easy hook-ups for all your power tools. Attach these ferrules to a 2-1/2" hose to make all your power tools and fixtures dust-collection capable. **710130**      **710135 (set of 4)**





**12 PIECE ACCESSORY KIT -523217**

This kit contains all the dust collection accessories you need. The kit includes:  
Handy 12 Piece Kit of Dust Collection Accessories  
(2) 8' x 2-1/2" Hoses, (1) Elbow Dusting Brush, (1) Package of Dust Bags (6 bags per package)  
(1) 14" Utility Nozzle, (2) Two 2-1/2-Inch Male Plugs, (2) Extension Wands  
(1) Utility Table Pickup, (2) Reducer Caps



**SHOPSMITH DUST COLLECTION HOSES**

Our all-new, see-through, crush-proof, 2-1/2" premium dust collection hose lets you spot those clogs in a flash. It can be stepped-on without consequences. It is available in an extended 16' length that will let you hook-up to virtually any machine -- anywhere in your shop without moving your DC-330L. Available in 16' and 10' lengths for your convenience.

**556161 16' x 2-1/2" Premium Dust Collection Hose (with end fittings)**  
**556160 10' x 2-1/2" Premium Dust Collection Hose (with end fittings)**



**WIRELESS ON / OFF SWITCH -556021**

Wireless On/Off switch that is rated at 8 amps and allows you to turn your DC-330L on or off remotely from anywhere in your shop area.



**FRONT HANDLE RETRO-FIT KIT -521769**

This inexpensive, simple-to-install kit lets you attach an additional handle to the top of the 3-way inlet on your DC-330L for convenience when moving it around the shop. You'll need a center punch, a 5/32" drill bit and a Phillips screwdriver to do the job. Takes about 5 minutes.

**Includes:** • Handle • Two screws and • a Template for marking pilot hole positions.



**DUST COLLECTION HOSE VALVE -555468**

Hose valves open or close airflow to any accessory to improve performance and eliminate hose changes. Easy-Pull slider mechanism. Attaches to the DC-330L dust collector or any Shopsmith accessory.



**DUST COLLECTOR BAGS -556469**

Dust Collector Bags for DC-330L (16 gallon) (pkg of 6)