



**Note:** Previous Bandsaw Retro Kits used two narrow and two wide roller bearings. This updated kit uses four narrow bearings with flat washers (5) to center the bearings behind the blade.

# Bandsaw Retro-Kit Item No. 555074

## Installation

Tools needed: slotted screwdriver, 3/8" and 7/16" open end wrenches, short socket extension, ratchet handle, 1/2" socket.

1. Unplug the machine.
2. Remove bandsaw cover.
3. Remove the bandsaw blade (see Owner's Manual).

### Auto-Track Roller Bearing Assembly

1. Remove outside nut (A), lock washer and washer. Remove backup roller assembly from bracket (B). (See Figure 1.)
2. Disassemble backup roller assembly.
3. **SAVE** the two nuts (A). Discard other parts of roller assembly.
4. Place auto-track roller bearings (1), lock washer (4) and nut (A) on shoulder screw (3). (See Figure 3.) Tighten nut.
5. Place roller bearing assembly through bracket (B) and add nut (A). Tighten nut.

### Upper Blade Guide Roller Bearing Assembly

1. Remove nut (C). (See Figure 2.)
2. Turn guide adjusting knob (J) (see Figure 4) clockwise to move upper blade guide assembly (D) (see Figure 2) all the way forward.
3. Unscrew slotted shaft (E) to remove upper roller assembly. Discard upper roller assembly.
4. Place flat washer (5), roller bearing (2), and lock washer (4) on shoulder screw (3). (See Figure 4.)
5. Thread roller bearing assembly through upper blade guide assembly (D) and blade guard (K). Add nut (C) and tighten.

### Lower Blade Guide Roller Bearing Assembly

1. Tilt table to 45°.
2. Remove hex bolt (F) and lock washer at the back of the lower blade guide assembly (G). (See Figure 2.) Remove lower blade guide and lower roller assemblies.
3. Unscrew slotted shaft (H) to remove lower roller assembly. Discard lower roller assembly.
4. Place flat washer (5), roller bearing (2), and lock washer (4) on shoulder screw (3). (See Figure 5.)
5. Mount roller bearing assembly into lower blade guide assembly (G).
6. Mount lower blade guide and roller bearing assemblies to the bandsaw using hex bolt (F), lock washer and nut. Tighten bolt.
7. Replace bandsaw blade and readjust blade guides.

**Note:** The auto-track roller bearings should be centered behind the blade. This may require adjustment of the mounting bracket. (See Owner's Manual.)

8. Replace bandsaw cover.

## Parts List

Ref. No.	Part No.	Description	Qty.
1	514011	Auto-track roller bearing	2
2	514011	Roller bearing	2
3	514008	Shoulder screw	3
4	120380	Lock washer	3
5	120392	Flat washer	2

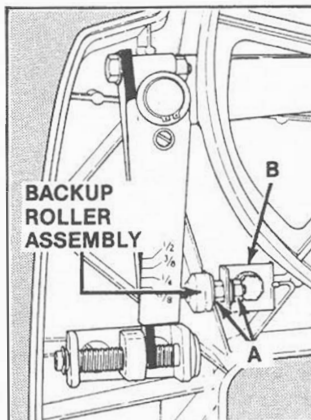


Figure 1.

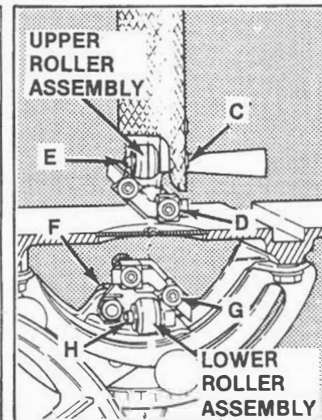


Figure 2.

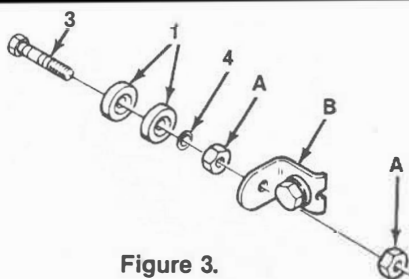


Figure 3.

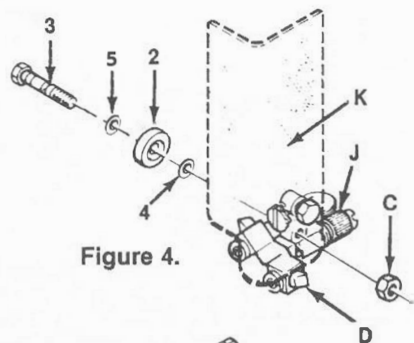


Figure 4.

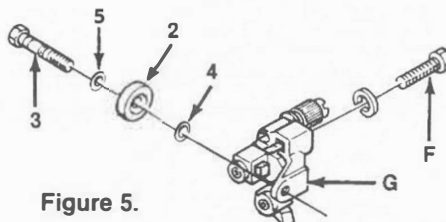


Figure 5.

**Shopsmith Inc.**

65300 Poe Avenue  
Dayton, Ohio 45414

Customer Service: (937) 890-5197

845010 REV B 01-22