



## Installation — Power Stands

### NOTE

If you purchased your power stand prior to June, 1984 you will need to drill two mounting holes in each leg before installing the casters. Figure 1 shows on which sides of the legs to drill the holes. Make a template to mark the holes. (See Figure 2.) Tape the template in place on the inside of each leg at the bottom. Center-punch hole locations and drill holes with a 9/32" drill bit. Deburr holes.

1. Insert the four casters (13) into the plungers (11).
2. Place two bolts (15) through the mounting holes in one of the legs. Slip a spacer (16) onto each bolt.
3. Mount one of the caster assemblies onto the bolts. Place the foot pedal on the side of the stand that will be most convenient for you. (NOTE: Both foot pedals should be on the same side of the stand.)
4. Add lock washers (17) and nuts (18). Thread nuts but do not tighten yet.
5. Repeat steps 2 and 4 to secure other end of caster assembly. Tighten all nuts.
6. Repeat steps 2, 3, 4, and 5 to mount the other caster assembly.

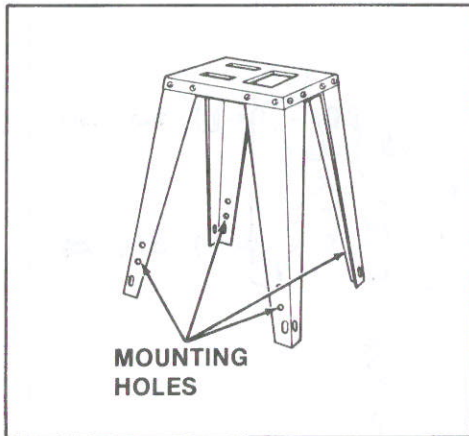


Figure 1.

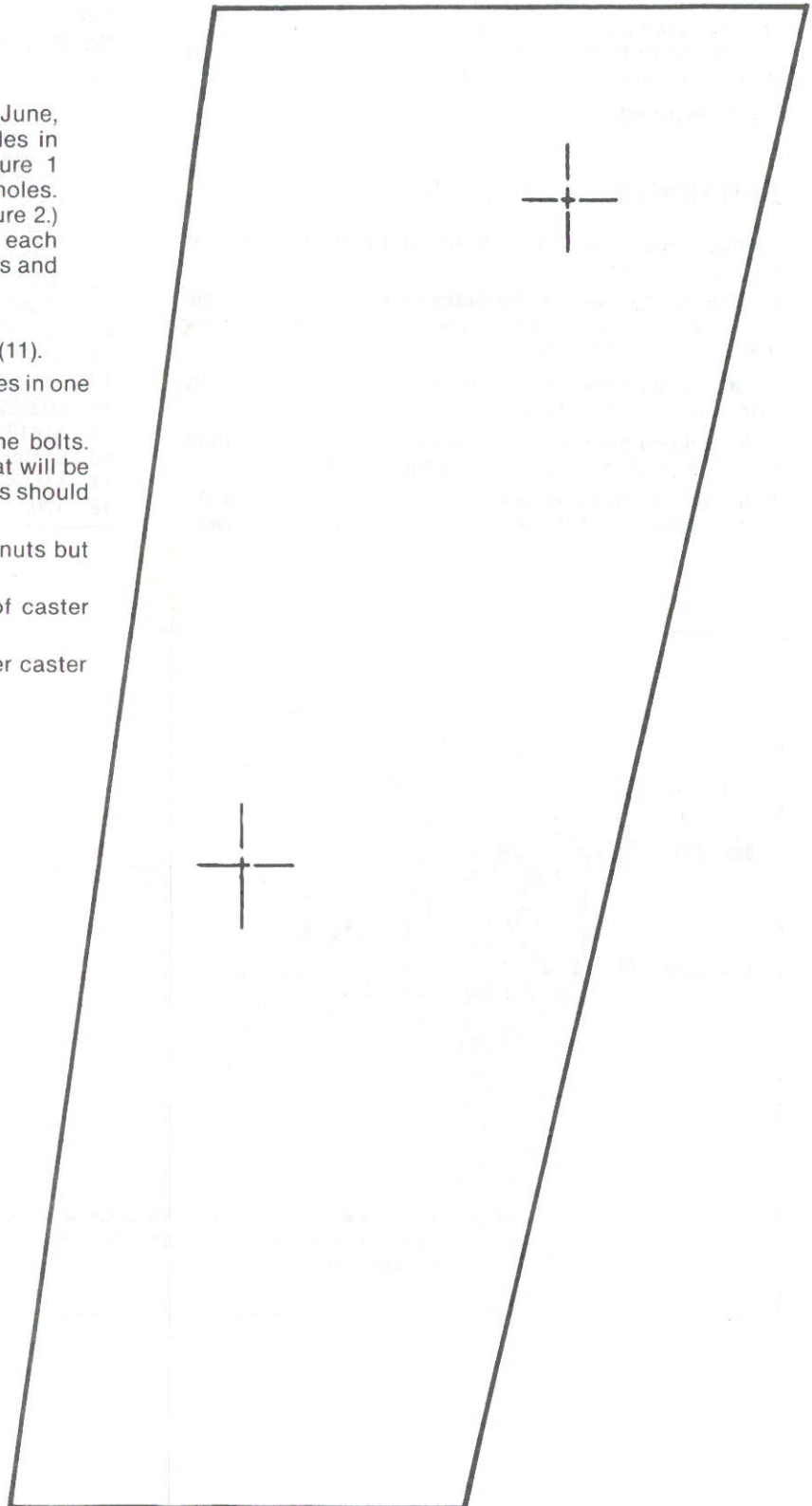


Figure 2. Pattern for template

**Shopsmith Inc.**

3931 Image Drive  
Dayton, Ohio 45414

© Copyright 1987 Shopsmith, Inc. All rights reserved.  
Shopsmith™ is a registered trademark of Shopsmith, Inc.

PL-5040 Rev. 8/87  
Printed in U.S.A.



# Retractable Casters

## Introduction

The retractable casters mount on the Shopsmith Mark V and Shopsmith Power Stands. Follow the appropriate instructions to install the casters.

**Tools Required:** Large blade screwdriver.

## Installation — Mark V

1. **Insert two casters (13)** into the plungers (11) on one of the caster assemblies.
2. **Line up the holes in the brackets (1, 2)** with the holes in the Mark V legs. Position the foot pedal on the speed dial side of the Mark V.
3. **Start one screw (14)** on the right end of the assembly. Add washer (17) and nut (18).
4. **Install two screws (14)**, washers (17) and nuts (18) on the left end of the assembly. Tighten the screws.
5. **Install remaining screw (14)**, washer (17) and nut (18) on the right end of the assembly. Tighten both screws.

## Parts List

Ref. No.	Part No.	Description	Qty.
1	503809	Bracket, R.H.	2
2	503811	Bracket, L.H.	2
3	501566	Cam	4
4	503808	Foot Pedal	2
5	503807	Drive Rod	2
6	456826	Rollpin, 5/32" × 1-1/2"	2
7	513056	Hex Drive Setscrew, 5/16"-18	4
8	503815	Retaining Clip	4
9	503817	Tie Rod	2
10	273814	Rollpin, 5/32" × 5/8"	4
11	503813	Plunger	4
12	503814	Spring	4
13	503816	Caster	4
14	503822	Screw, 1/4"-20 × 5/8" (Mark V)	8
15	514133	Screw, 1/4"-20 × 1-1/4" (Power Stand)	8
16	514089	Spacer (Power Stand)	8
17	115546	Lock Washer 1/4"	8
18	120372	Nut 1/4"-20	8

