



# Extension Table System

## Setup

This Extension Table System for the Shopsmith Mark V (Model 510) attaches to the worktable and the fixed extension table in a variety of configurations.

### WARNING

Turn off and unplug the Mark V.

1. Wax and buff the connector tubes and the floating extension table assemblies.

2. Check the alignment of the worktable and the fixed extension table. Move the worktable within 12" of the extension table. Insert the connector tubes (2) into the worktable tubes. Raise the extension table and fit the connector tubes into the extension table tubes. (See Figure 1.) If they do not fit easily, the extension table needs to be aligned. (Refer to the **Alignment and Adjustment** section of the Mark V Owners Manual.)

3. Set up the configuration. Determine where you need extra support for the workpiece, then construct the configuration. (See Figures 5 through 13 for some of the many possible combinations.)

### WARNING

- Never extend a floating table away from a stationary table without using the telescoping legs to support it.
- Secure each connector tube with at least one lock screw in each table.

a. Slide the connector tubes (2) through the worktable tubes until they pass a lock screw. Fingertighten the lock screw. (See Figure 2.) Do not overtighten the lock screws on the table tubes.

b. Complete your configuration by adding floating tables and telescoping legs. To use the telescoping legs, assemble the T-joint fitting (4) to the leg (3) and tighten with a 5/32" Allen wrench. (See Figure 3.)

To adjust the height of the legs, turn the sections to release the lock. (See Figure 4.) Then extend or retract the legs. Reverse the action to lock the legs in position. Periodically, flush the internal mechanism with water only. Dry thoroughly using a hair dryer.

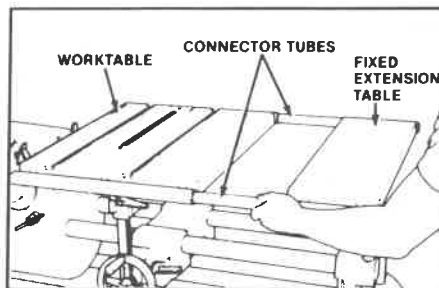
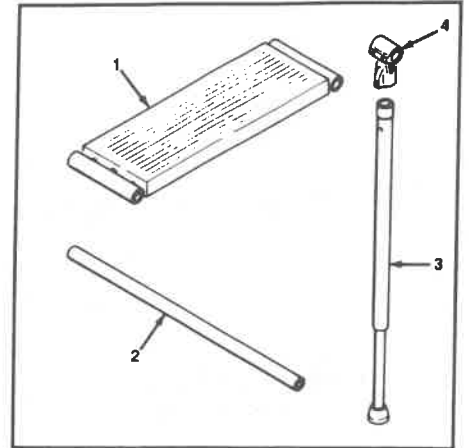


Figure 1. Checking the alignment of the worktable and fixed extension table.

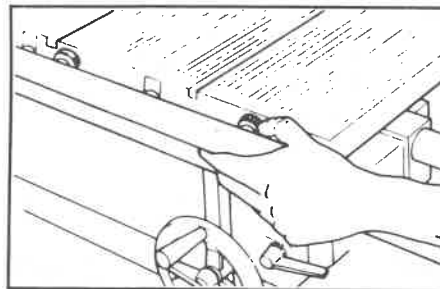


Figure 2. Tightening the lock screws.

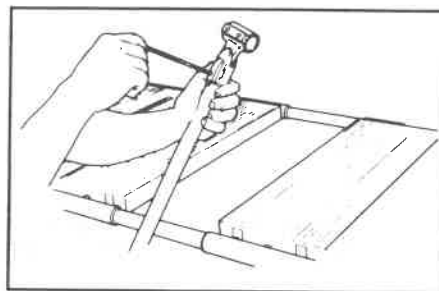


Figure 3. Assembling the legs.

## Parts List

Ref. No.	Part No.	Description	Qty.
—	555137	Extension Table System	
1	514446	Floating Extension Table Assembly	2
2	514439	Connector Tube	4
3	514529	Telescoping Leg	2
4	514520	T-Joint Fitting	2

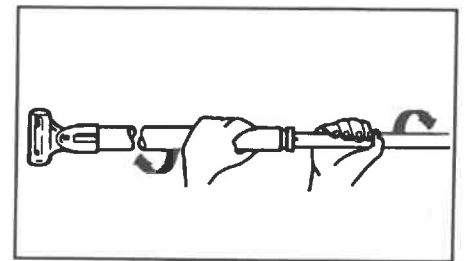


Figure 4. Loosening the legs.

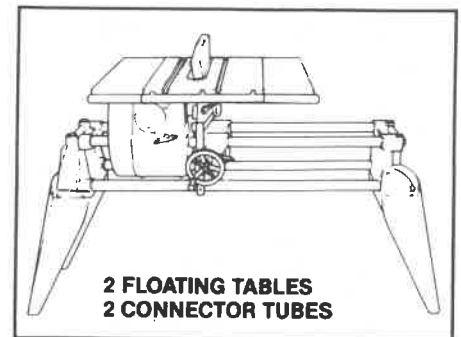
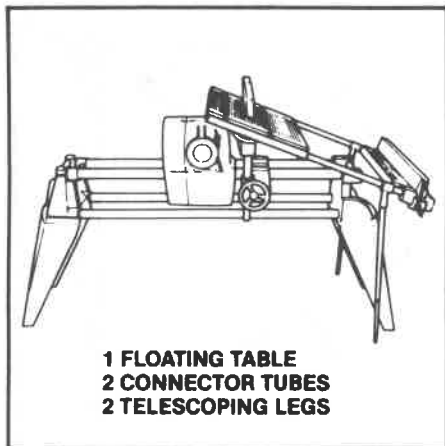
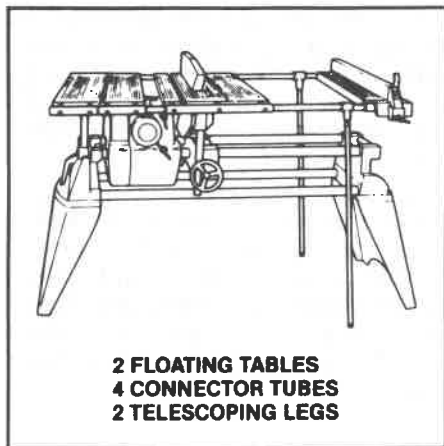


Figure 5.



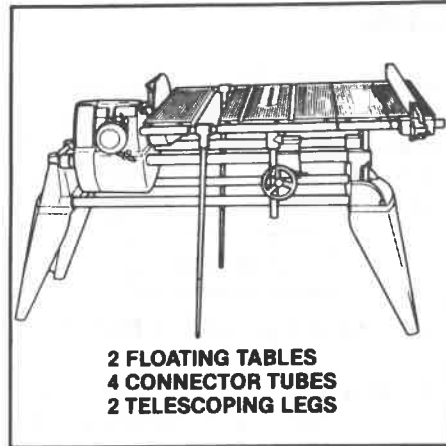
**1 FLOATING TABLE  
2 CONNECTOR TUBES  
2 TELESCOPING LEGS**

Figure 6.



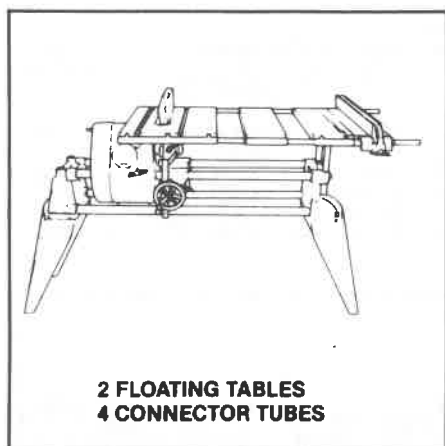
**2 FLOATING TABLES  
4 CONNECTOR TUBES  
2 TELESCOPING LEGS**

Figure 9.



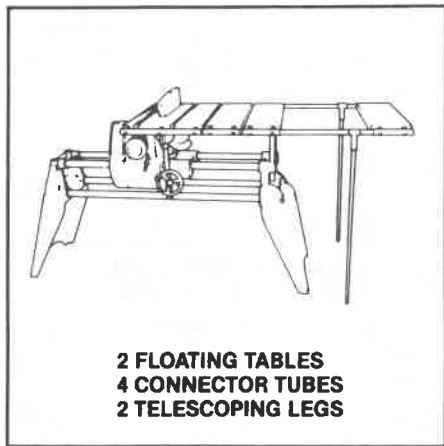
**2 FLOATING TABLES  
4 CONNECTOR TUBES  
2 TELESCOPING LEGS**

Figure 11.



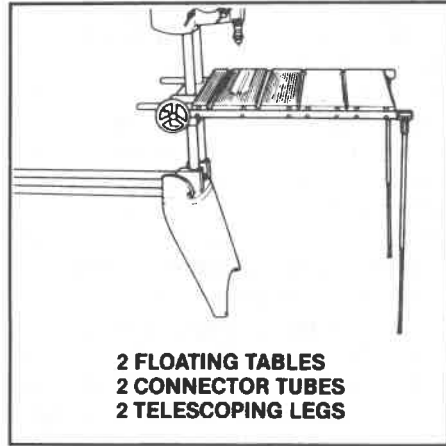
**2 FLOATING TABLES  
4 CONNECTOR TUBES**

Figure 7.



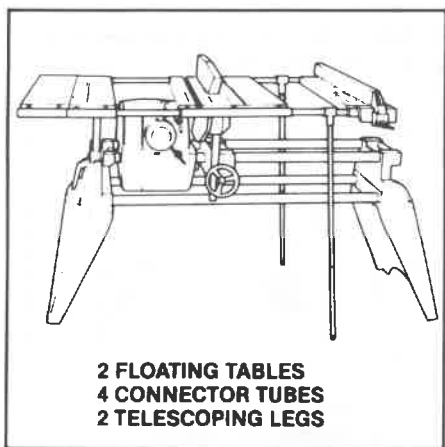
**2 FLOATING TABLES  
4 CONNECTOR TUBES  
2 TELESCOPING LEGS**

Figure 10.



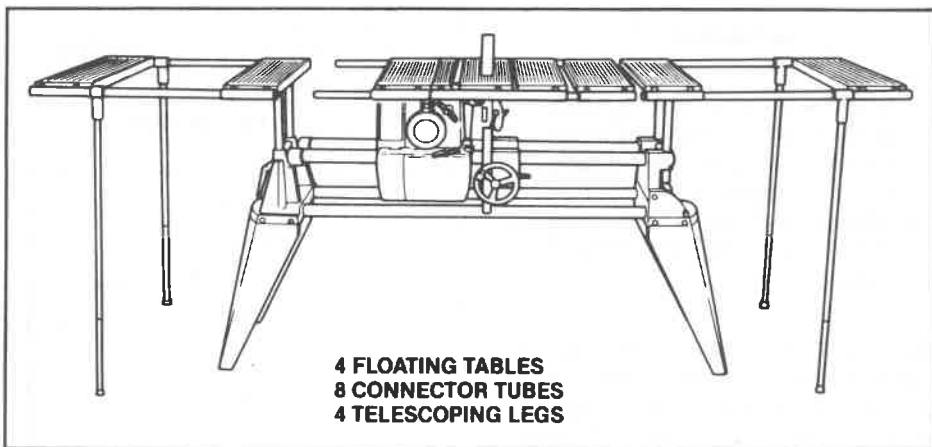
**2 FLOATING TABLES  
2 CONNECTOR TUBES  
2 TELESCOPING LEGS**

Figure 12.



**2 FLOATING TABLES  
4 CONNECTOR TUBES  
2 TELESCOPING LEGS**

Figure 8.



**4 FLOATING TABLES  
8 CONNECTOR TUBES  
4 TELESCOPING LEGS**

Figure 13. Using two Extension Table Systems.

**Shopsmith Inc.**

3931 Image Drive  
Dayton, Ohio 45414

© Copyright 1987 Shopsmith, Inc. All rights reserved.  
Shopsmith® is a registered trademark of Shopsmith, Inc.

845090 Rev. 11/87  
Printed in U.S.A.