



# Disc Sander Dust Chute Assembly

## Item No. 555167

### Introduction

The Disc Sander Dust Chute Assembly mounts on the Shopsmith Mark V. Connected to a 2-1/2" shop vacuum hose, it eliminates virtually all sawdust generated during disc sanding.

### Disc Sanding Safety

#### WARNING

- READ, UNDERSTAND AND FOLLOW ALL the information in the Mark V Owners Manual whenever you set up and operate the Mark V in the disc sanding mode.
- Always mount the dust chute assembly to the Mark V and attach the hose of your shop vacuum to the chute whenever you perform disc sanding operations.
- Use the dust chute assembly for disc sanding operations only.

### Installation

1. Turn speed to Slow, turn power switch off and unplug the Mark V.

#### WARNING

Turn off and unplug the Mark V before removing accessories and installing the dust chute assembly.

2. Remove any accessories that are mounted on the quill and/or spindle by loosening the appropriate set screws that secure the accessories to the quill and/or spindle.
3. Loosen hex head cap screw (2, Figure 1) of dust chute assembly. Mount chute on quill so that collar of dust chute (1) butts up against stop collar on quill. Tighten screw (2) securely.
4. Loosen knobs (5), then open chute by sliding dust chute cover (4) away from headstock.
5. Mount sanding disc on main spindle. Slide hub of disc all the way onto spindle. With a 5/32" Allen wrench, tighten setscrew in hub so that screw tip is firmly against flat of spindle.

### Parts List

Ref. No.	Part No.	Description	Qty.
1	555167*	Dust chute	1
2	147114	Hex head cap screw	1
3	502973	Split lock washer	1
4	514112	Dust chute cover	1
5	514364	Knob	2
6	504267	Special washer	2

\*Sold only as an assembly.

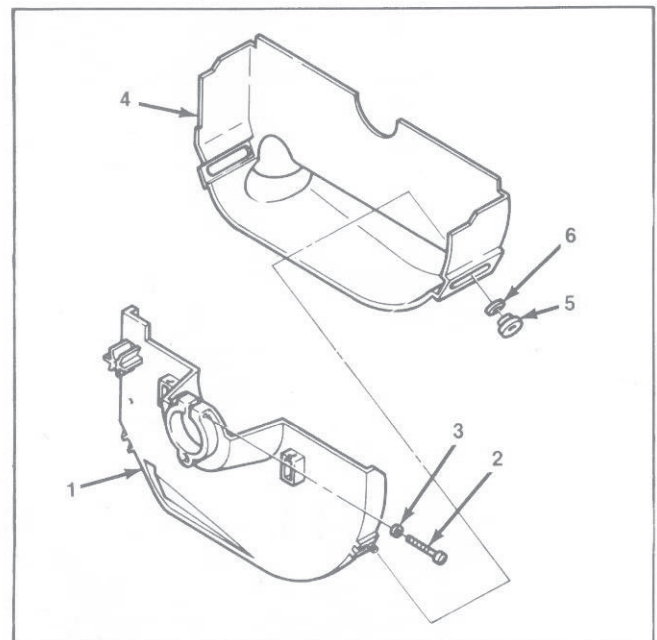


Figure 1. Disc Sander Dust Chute Assembly.

6. Slide dust chute cover (4) back to within 1/2" to 3/4" away from sanding disc. Tighten knobs (5).
7. Attach shop vacuum hose to dust chute cover (4).
8. Position worktable next to sanding disc and adjust table height. Slide carriage to the left (toward headstock) until worktable is 1/16" away from disc if you're **not** going to use the quill feed, or 1/2" away if you **are** going to use the quill feed. Adjust table height so that table surface is slightly above center of sanding disc.

#### WARNING

Secure all locks, except do not secure the quill lock when using the quill feed.

Shopsmith Inc.

6640 Poe Avenue  
Dayton, Ohio 45414-2591

Copyright 1986 Shopsmith, Inc. All rights reserved.  
Shopsmith® is a registered trademark of Shopsmith, Inc.

PL-5102 1/86  
Printed in U.S.A.