



Miter Gauge 505700

Introduction

The Shopsmith Miter Gauge mounts in the worktable slots of the Shopsmith Mark V Model 500 and Model 510, Shopsmith Bandsaw, and Shopsmith Belt Sander.

The miter gauge holds workpieces at various angles when sawing, sanding, drilling, or boring. It slides freely or locks in place in the worktable slots.

Safety

The illustrations show the miter gauge safety grip mounted on the miter gauge. The safety grip helps to hold workpieces securely and safely.

WARNING

- **READ, UNDERSTAND AND FOLLOW ALL the information in the Mark V, Bandsaw and Belt Sander Owners Manuals whenever you use the miter gauge on these machines.**
- **Keep the safety grip mounted on the miter gauge at all times.**

Parts List

Ref. No.	Part No.	Description	Qty.
1	504268	Miter gauge lock knob	1
2	120392	Washer	2
3	514566	Glide	2
4	507367	Miter gauge protractor	1
5	501407	Headless stop screw	3
6	436691	Panhead machine screw	1
7	501616	Washer	1
8	501409	Vernier plate	1
9	514424	Indicator mount and plunger assembly	1
10	504267	Special washer	2
11	504266	Miter stud	1
12	501401	Taper screw	1
13	504300	Miter gauge bar	1
14	514376	Washer (Model 510 only)	1
15	514377	Screw (Model 510 only)	1
16	501639	Nylok machine screw	1
17	501635	Machine screw	2

How to Use

NOTE

Remove washer (14) and screw (15) when using the miter gauge with Mark V Model 500 (model without T-shaped miter gauge slots) and when washer interferes with Bandsaw and Belt sander worktables.

The miter gauge mounts in either of the two worktable slots, and the protractor can be angled from 30° right to 30° left. It has three positive stops to help you quickly adjust the angle to 90°, 45° right, or 45° left. To use these stops, simply loosen the lock knob, push in the plunger at the back of the miter gauge, and turn the protractor until the proper stop hits the plunger.

When you tighten the lock knob, use a 5/32" Allen wrench to get extra leverage.

Spin the knob tight, then insert the Allen wrench in one of the four holes in the circumference of the knob and tighten it an extra 1/8 turn. (See Figure 2.) This will help keep the miter gauge face from slipping as you work.

The miter gauge slides in the worktable slots, or it can be locked in any position within the slots to make special jigs or stops for sanding, drilling, and boring operations. To lock the miter gauge in a slot, put a piece of paper under the miter gauge bar and mount the bar in a slot where you want it. (See Figure 3.) Then turn the taper screw in the middle of the bar clockwise until the miter gauge is secure in the slot. (See Figure 4.) This screw slightly expands the bar so that the bar expands against the inner sides of the slot. Since both the slot and the miter gauge bar are waxed, the paper provides the friction needed to keep the miter gauge firmly in place.

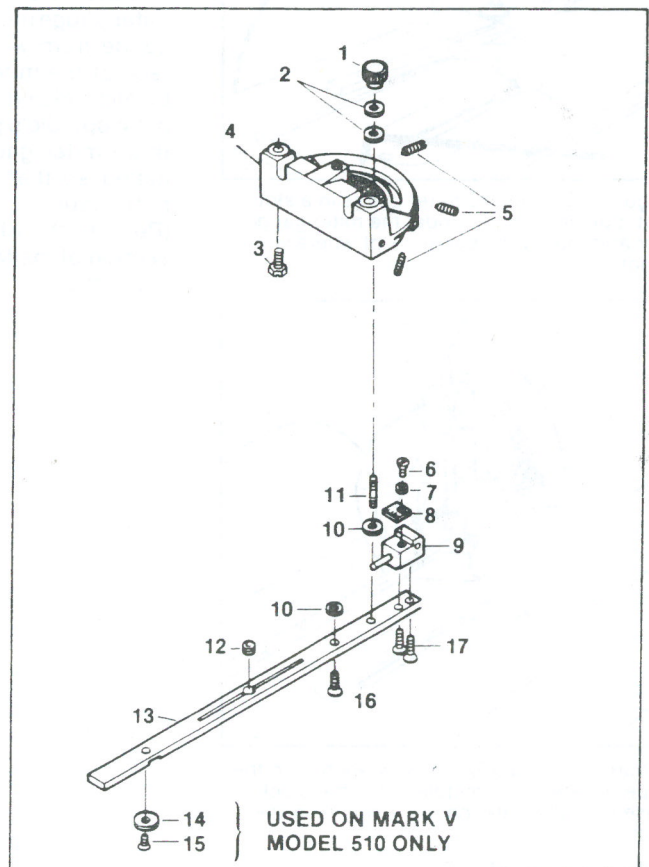


Figure 1. Shopsmith Miter Gauge