



# Belt Sander Dust Chute Item No. 300002

## Introduction

This Belt Sander Dust Chute replaces the original dust chute on the Shopsmith 6" Belt Sander. Its 2-1/2" diameter elbow connects to the Shopsmith Dust Collector with its high airflow and efficient filtering capabilities. The elbow helps to keep the Dust Collector hose from becoming kinked or pinched against your Mark V or power stand, especially with the belt sander in the vertical position.

## Installation

### WARNING

Turn off and unplug your belt sander.

**1. Remove the protrusion on the sander support.** Because of the new design of the dust chute, the protrusion on the curved top of the sander support must be removed before installing the dust chute.

a. Position the belt sander horizontal and lay it on your bench with the mounting tubes up.

b. Use a 9/16" socket with short extension and ratchet handle to remove the locking nut on the back of the trunnion lock. (See Figure 1.) Remove the trunnion lock and note the order of the removed hardware.

c. Remove the sander support and mount it on the Mark V. Secure the accessory mount lock.

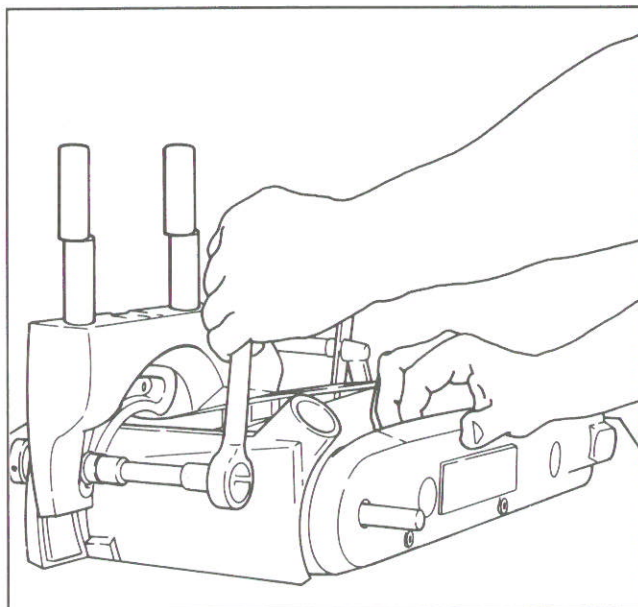


Figure 1.

### CAUTION

Do not mount the sander support on a power stand because metal filings could fall into the motor.

d. Use a half round file to remove the protrusion. (See Figure 2.) Be careful not to file the trunnion track.

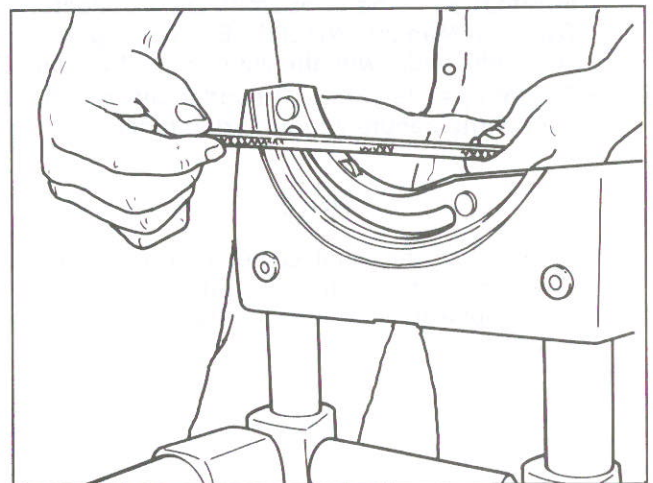


Figure 2.

e. Remove the sander support from the Mark V and reinstall it on the belt sander. Make sure the hardware is in the correct order.

**2. Mount and secure the belt sander on the Mark V or power stand.**

**3. Remove the original dust chute.** Use a 1/4" Allen wrench to remove the two socket head screws that attach the dust chute to the right frame side. (See Figure 3.)

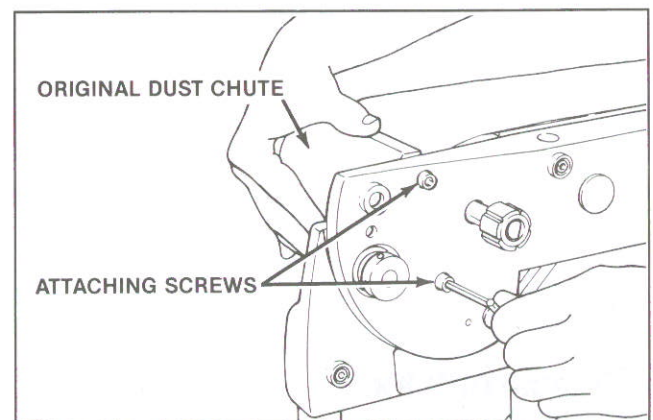


Figure 3.



4. Install the new dust chute. (See Figure 4.) Use the 1/4" Allen wrench to attach the dust chute (1) to the right frame side with the screws (3) and nuts (4).

5. Insert the elbow (2) into the dust chute outlet with the elbow outlet facing downward. Connect the Dust Collector hose to the elbow.

**WARNING**

- READ, UNDERSTAND AND FOLLOW ALL the information in the Shopsmith Dust Collector Owner's Manual WHENEVER you operate your belt sander with the dust chute attached.
- Do not operate your belt sander without the dust chute securely mounted in place.

**NOTE**

Do not allow the Dust Collector hose to become pinched or kinked. Either condition would cause loss of airflow and clogging of the hose.

**Parts List**

Ref. No.	Part No.	Description	Qty.
1	514854-02	Belt Sander Dust Chute	1
2	514521	Elbow, 2-1/2"	1
3	513191	Socket Head Screw, 1/4-20 x 1"	2
4	124818	Hex Jam Nut, 1/4-20	2

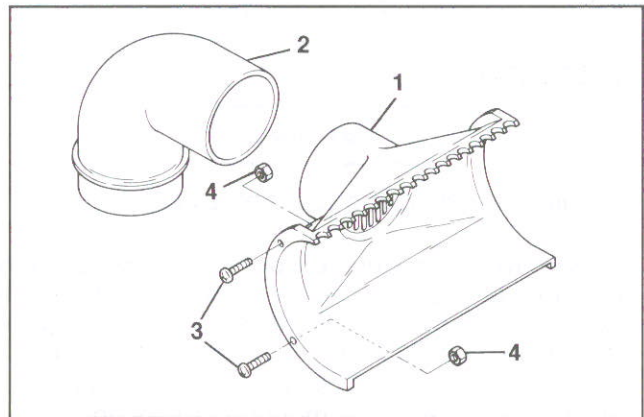


Figure 4.

**Shopsmith Inc.**

3931 Image Drive  
Dayton, Ohio 45414

© Copyright 1987 Shopsmith, Inc. All rights reserved.  
Shopsmith® is a registered trademark of Shopsmith, Inc.