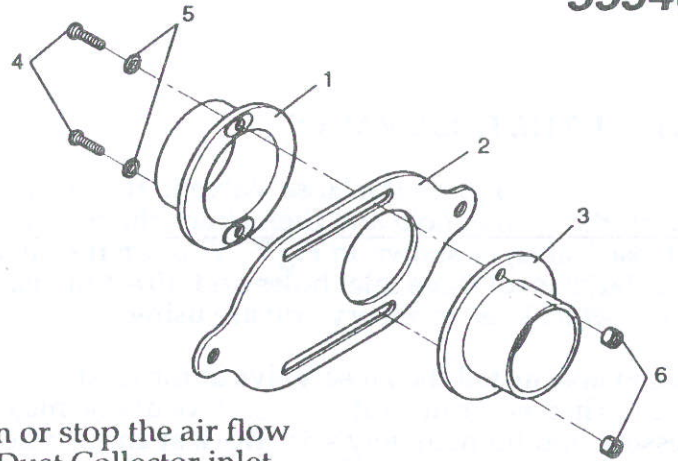




Dust Collector Hose Valve

555468

Ref. Part No. No.	Description	Qty.
1 515448	Flange, male	1
2 515449	Slider valve	1
3 AE0130	Flange	1
4 515885	Screw, 10-32 x 7/8"	2
5 513633	Washer	2
6 515299	Nut	2



Introduction

The Dust Collector Hose Valve allows you to open or stop the air flow to accessories. It usually is installed between the Dust Collector inlet and a hose. You can also install it at dust collection ports on most major accessories and guards.

By moving the slider valve you can turn air flow on or off. This is beneficial to the performance of your Dust Collector, because the fewer inlets taking in air, the more air flow you will get from the inlet(s) you are currently using.

Please follow these instructions:

ASSEMBLE THE HOSE VALVE

1. Place the male flange (1) on a table top as shown in Fig.1. Then place the slider valve (2) in position on the male flange, lining up the slots in the slider valve with the raised "guides" surrounding the screw holes in the male flange, as in Fig.2.

2. Place the other flange (3) on top of the slider valve (2) and male flange (1), then line up the screw holes. See Fig.3.

3. Insert two screws (4) with washers (5) up through the screw holes in the male flange, slider valve and other flange (see Fig.4). Secure each screw (4) with a nut (6), as shown in Fig.5. Finger tighten.

4. Use an 3/8" open end wrench and a Phillips head screwdriver to tighten the nut and screw, as shown in Fig.6. Do not over-tighten, because the slider valve must slide (with some resistance) to its open and closed positions.

5. If needed, lubricate the slider valve (2) with either "dry lube" or silicon spray. Do NOT use wax, as wax could react with the plastic and eventually damage the Hose Valve.

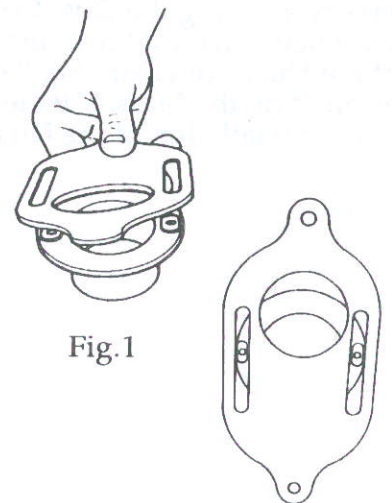


Fig.1

Fig.2

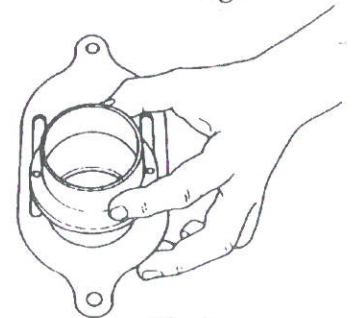


Fig.3

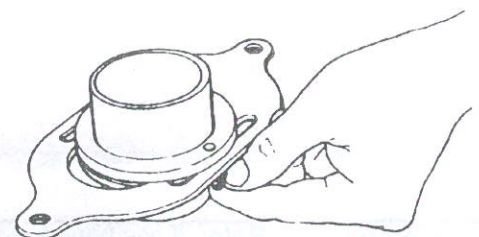


Fig.4

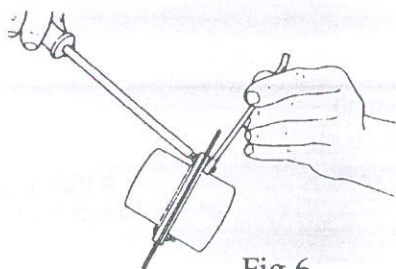


Fig.6

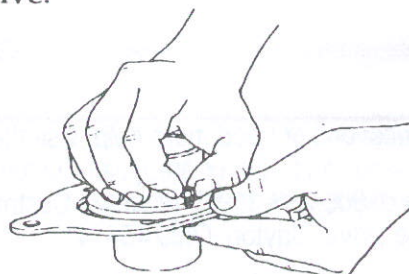


Fig.5

INSTALL THE HOSE VALVE

Usually you will place the Hose Valve in the Dust Collector's air inlet hole and then attach the hose to the Hose Valve, as shown in Fig.7. You can install a Hose Valve in all three inlet holes and direct the vacuum to whichever accessory you are using.

You can also install the Hose Valve at the dust source. Then you can shut off the valve at one major accessory and immediately start work at another accessory, keeping the Dust Collector operating at peak efficiency— without needing to switch hoses or turn off the Dust Collector. Fig.8 shows the Hose Valve installed on the Mark V table saw dust chute. It is a typical installation of the Dust Collector Hose Valve.

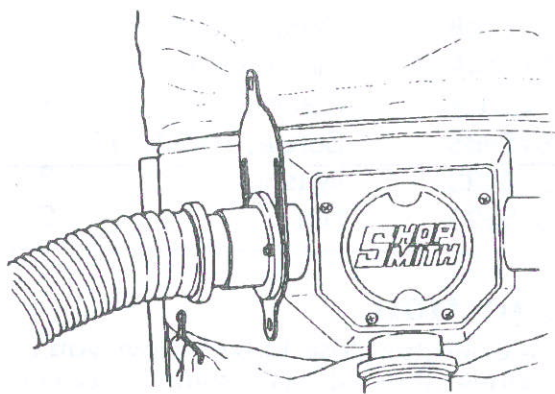


Fig.7

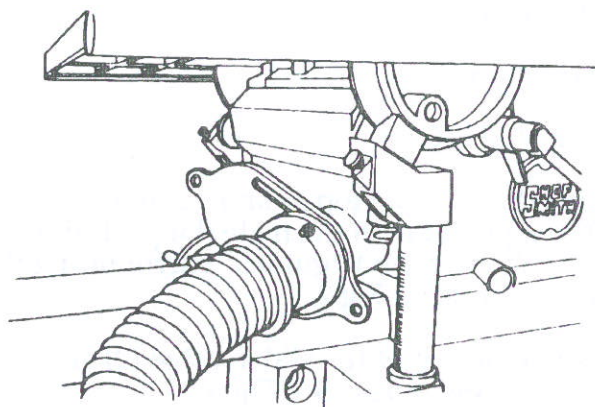


Fig.8



Note: If you have further questions or need more help, visit the Shopsmith Store in your area. If there is no store in your area, call Customer Service at: 1-800-762-7555 (in Canada, 1-800-268-3998), or write: Customer Service, Shopsmith, Inc., 3931 Image Drive, Dayton, Ohio 45414.