



FLOATING EXTENSION TABLE SYSTEM - MKV520

521403

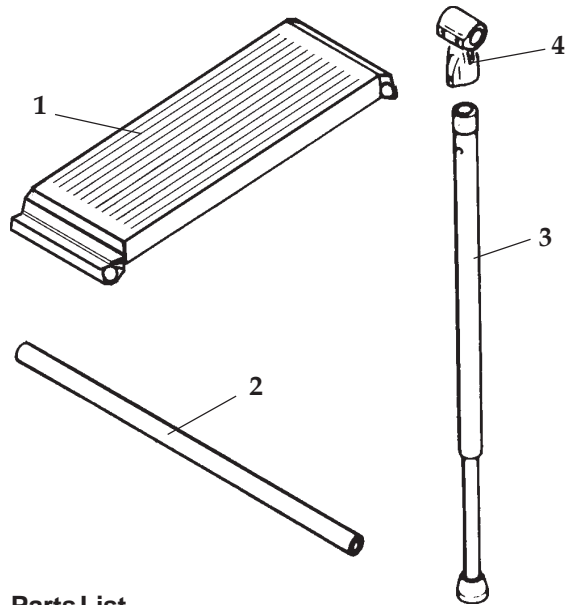
Setup

This Floating Extension Table System for the Shopsmith Mark V attaches to the worktable and the fixed extension table in a variety of configurations.

WARNING

Turn off and unplug the Mark V.

1. Wax and buff the connector tubes and the floating extension table assemblies.
2. Check the alignment of the worktable and the fixed extension table. Move the worktable within 12" of the extension table. Insert the connector tubes (2) into the worktable extrusions. Raise the extension table and fit the connector tubes into the extension table extrusions, see Figure 1. If they do not fit easily, the extension table needs to be aligned. (Refer to the **Alignment** section of the Mark V Owner's Manual.)



Parts List

| Ref. No. | Part No. | Item Description | Qty |
|----------|----------|-------------------------------------|-----|
| — | 521403 | Extension Table System | |
| 1 | 518428 | . Floating Extension Table Asm..... | 2 |
| 2 | 514439 | . Connector Tube | 4 |
| 3 | 514529 | . Telescoping Leg | 2 |
| 4 | 514520 | . T-Joint Fitting | 2 |

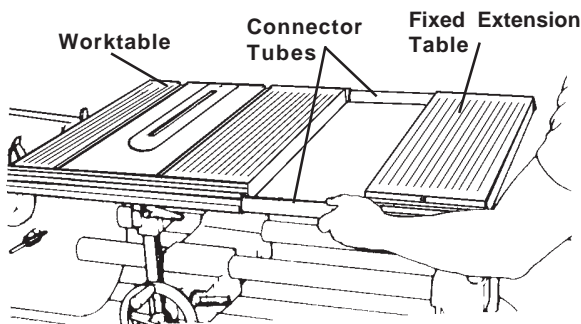


Figure 1

3. **Setup the configuration.** Determine where you need extra support for the workpiece, then construct the configuration. See your Mark V owners Manual for some of the many possible combinations.

WARNING

Never extend a floating table away from a stationary table without using the telescoping legs to support it.

- a. Slide the connector tubes (2) through the worktable extrusions until they pass a lock screw. Finger tighten the knobs. DO NOT overtighten the knobs on the table extrusions.

- b. Complete your configuration by adding floating tables and telescoping legs. To use the telescoping legs, assemble the t-joint fitting (4) to the leg (3) and tighten with a 5/32" Allen wrench, see Figure 2.

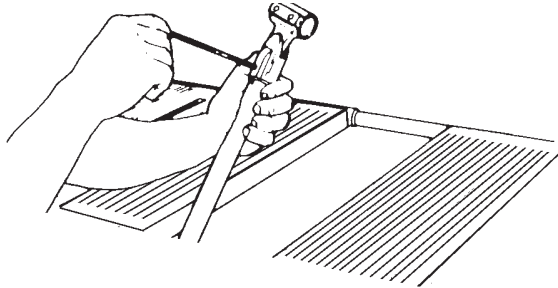


Figure 2

- c. To adjust the height of the legs, turn the sections to release the lock, see Figure 3. Then extend or retract the legs. Reverse the action to lock the legs in position. Periodically, flush the internal mechanism with water only. Dry thoroughly using a hair dryer.



Figure 3

NOTE

If you need further assistance or have additional questions, please feel free to contact our Customer Service Department Toll-Free @ 1-800-762-7555 or visit our website www.shopsmith.com.

NOTES

