

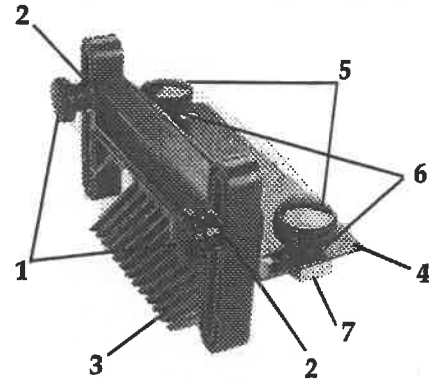


FEATHERBOARD HOLD DOWN

555783

INTRODUCTION

The Featherboard Hold Down provides safety hold-down for thick and thin workpieces. The featherboard hold down can be used with the Mark V Model 510, 520 and the new 500 ripfences; and also with the bandsaw fence.



SAFETY

WARNING

- Be sure to tighten all knobs securely before using.
- Do not allow the featherboard to interfere with the function of the upper saw guard or the anti-kick mechanism.
- Make sure the machine is turned off before adjusting the location and/or height of the featherboard.
- Never locate the featherboard directly over the saw blade, dado, or molding head. Plastic fingers of the featherboard could get into the cutters while the board passes through causing damage to your featherboard or bodily injury could occur.

PARTS LIST

Ref. No.	Part No.	Item Description	Qty.
1	513713	Knob, #10-24	2
2	513864	Washer, 3/16"	2
3	518216	Featherboard	1
4	521417	Plate w/studs	1
5	521662	Knob, 5/16"-18	2
6	502081	Washer, 5/16"	2
7	521665	T-bolt Assembly	2

ASSEMBLY INSTRUCTIONS

1. Insert the stud of T-bolt assembly (521665) through the slot (5/16" wide) in plate (512417).
2. Slide washer (502081) over the stud of the T-bolt assembly, then screw knob (521662) on to the stud.
3. Repeat steps 1 and 2 for the other set of T-bolt, washer, and knob.
4. Slide featherboard (518216) over the 3/16" dia. studs on the plate (521417).
5. Slide washer (513864) over each 3/16" dia. stud, then screw knob (513713) over each 3/16" stud

INSTALLATION AND USE

1. To mount the featherboard hold down, simply loosen knobs (521662) a couple of turns, align the T-bolts with the t-slot on the top of the fence and slide it on.

NOTE

To mount this on the Mark V Model 520 you can install from either end of the fence.

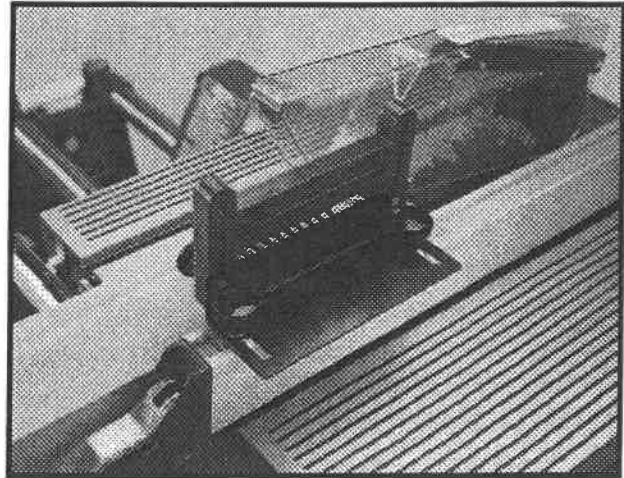
To mount this on other fences you may need to check from which end it will feed. For example, on the Mark V model 510 you must install from the outfeed end of the fence.

2. Position the Featherboard hold down either in front or behind the sawblade, dado, or molder head.

WARNING

Never position the Featherboard hold down directly over the sawblade, dado, or molder head.

3. Lock knobs (521662) to secure the featherboard hold down in place on the fence. Loosen knobs (513713) to lower the featherboard on to the stock. Push the featherboard down against the stock, springing the fingers 1/8" to 1/4". Lock the knobs (513713) to hold it in place.
4. Slide your work under the featherboard to test hold down force. You should be able to slide stock past featherboard without forcing it.



WARNING

Always use proper safety equipment and procedures when using the saw.

5. If stock being cut is so narrow that a pushstick can not be used. A scrap piece of stock must be fed through the cutter to push your project past the cutter. When the project stock is beyond the cutter hold the pushstock steady and turn down the speed and turn off the machine.

WARNING

Make sure the machine is turned off and cutter has come to a complete stop.

6. ONLY after the cutter comes to a complete stop, remove the pushblock.

NOTE

If you have any questions, please feel free to contact our Customer Service Department at 800/543-9396 or visit our website at www.shopsmith.com.



Shopsmith Inc.
6530 Poe Avenue
Dayton, Ohio 45414

845494 Rev. 10/99
All Rights Reserved
Printed In USA