



FENCE STOP MKV 510/520
555807 MKV 510
555808 MKV 520

INTRODUCTION

The MKV Fence Stop Systems mounts in the t-slot of the rip fence, allowing you to position a stop for repeat cuts. This can be placed anywhere along the rip fence. The Fence Stop System makes setting up and cutting or drilling a repetitive motion. 555807 is the Fence Stop System for the MKV 510, but can also be used with Mark V 500 Fence (555646) and the Bandsaw Fence (555645). 555808 is the Fence Stop System for the MKV 520.

The stop is a flip stop design, when not required it can be flipped up, without losing the stop position. You can also purchase extra fence stops, these packages only include the fence stop:

- 52170801 - MKV 510 Fence Stop
- 52170802 - MKV 520 Fence Stop

TOOLS REQUIRED

- 5/32" Allen Wrench
- #2 Phillips Screwdriver

SAFETY

WARNING

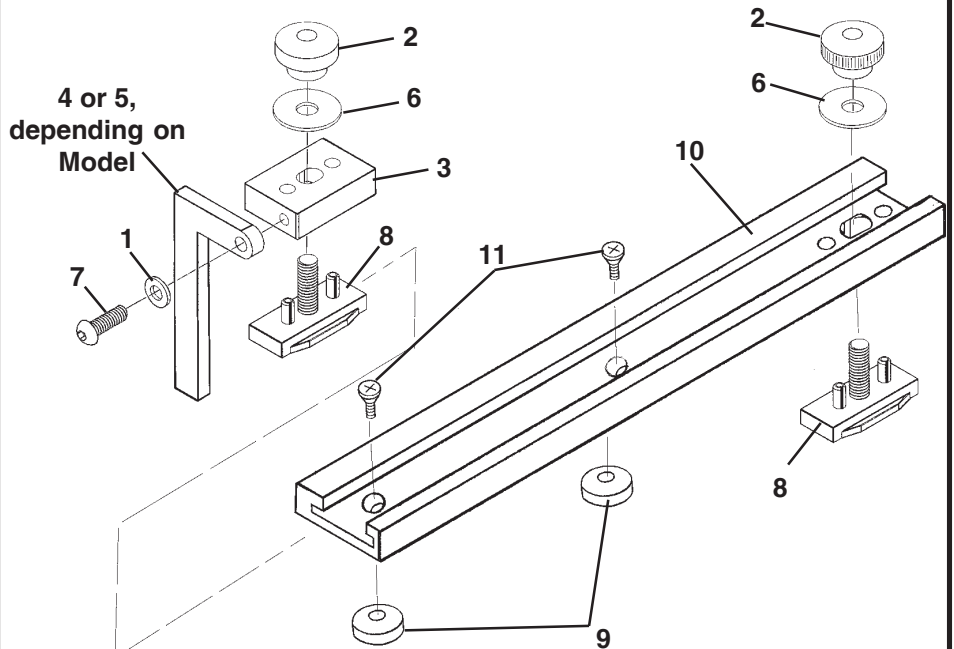
- ✓ Read, understand, and follow all instructions in this manual.
- ✓ Wear safety equipment, including eye protection.
- ✓ Do not back the wood up when you reach the stop, turn off the machine and remove the stock.

- ✓ Use safety equipment to move the stock up to the stop.
- ✓ Always have a t-bolt and washer engaged in the fence.

PARTS LIST

Ref No.	Part No.	Item Description	Qty
—	555807	MKV510 Fence Stop System (includes 1-4 and 6-11)	
—	555808	MKV520 Fence Stop System (Includes 1-3 and 5-11)	
1	513865	. Flat Washer	1
2	521662	. Knob	2
3	521709	. Stop Block	1
4	52171001	. Stop Lever (510)	1
5	52171002	. Stop Lever (520)	1
6	521711	. Washer	2
7	521712	. Screw	1
8	521715	. T-nut Assembly	2
9	521714	. Washer, PM	2
10	521716	. Extrusion	1
11	521795	. Screw 8-32x3/8	2

Parts Explosion



*ASSEMBLY**Assemble the Fence Stop*

- Using a 5/32" Allen wrench, assembly the screw (7), washer (1), and stop lever (4 or 5, depending on your unit) to the stop block (3).

NOTE

When tightening down the stop lever, after securing backoff the screw 1/16 of a revolution, just enough to allow the stop lever to swing.

- Assemble the T-nut assembly (8) up through the stop block (3), secure using the knob (2) and washer (6). See complete assembly, as shown in Figure 1.

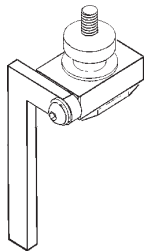


Figure 1

Assemble the Stop System

- Assemble the T-nut assembly (8) up through the Fence Track Extrusion (10), secure using the knob (2) and washer (6).
- Using the #2 Phillips Head Screwdriver, assemble screws (11) through the countersunk holes in the fence track extrusion (10) securing with the washers (9).
- Slide the fence stop onto the Fence track in the t-slot.

*OPERATIONS**Fence Mounting**For the MKV 520, MKV 500 & Bandsaw*

- When using the Fence Stop System with the Mark V 520 Rip Fence, Mark V 500 Rip Fence or the Bandsaw Fence, slide the Fence Stop Track assembly into the t-slot on the Fence from either the infeed or outfeed end of these fences.

For the MKV 510

- When using the Fence Stop System with the Mark V 510 Rip Fence, slide the Fence Stop Track assembly into the t-slot on the Rip Fence from the outfeed end only.

STOP SETTING

Set stop to the desired stop and tighten down the track assembly and the stop, then flip down the stop lever.

WARNING

Always have the T-nut Assembly engaged in the Fence.

NOTE

If you have any additional questions, please call our Customer Service Department Toll Free 1-800-762-7555. Outside of the United States, our number is 937/898-6070 x-376. Or visit our website: www.shopsmith.com

