



FENCE STOP
52170801 MKV510, 500
52170802 MKV520

INTRODUCTION

The Fence Stop system mounts in the t-slot of the rip fence, allowing you to position a stop for repeat cuts anywhere along the rip fence. The fence stop makes setting up and cutting or drilling in a repetitive motion. This stop system can be used when sawing, drilling, and routing.

The Fence Stop is a flip-stop design, which means that when the stop is not required the stop can be flipped up and the position is not lost.

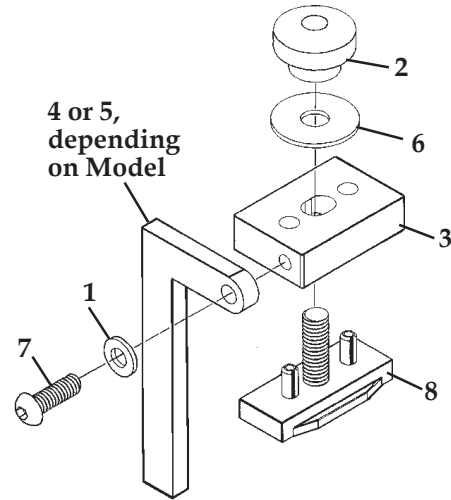
TOOLS REQUIRED

- 5/32" Allen Wrench
- #2 Phillips Screwdriver

SAFETY

WARNING

- √ Read, understand, and follow all instructions in this manual.
- √ Wear safety equipment, including eye protection.
- √ Do not back the wood up when you reach the stop, turn off the machine and remove the stock.
- √ Use safety equipment to move the stock up to the stop.
- √ Always have a t-bolt and washer engaged in the fence.



PARTS LIST

Ref. No.	Part No.	Item Description	Qty
—	52170801	MKV510 Fence Stop (includes 1-4, and 6-8)	
—	52170802	MKV520 Fence Stop (includes 1-3, and 5-8)	
1	513865	. Flat Washer	1
2	521662	. Knob	1
3	521709	. Stop Block	1
4	52171001	. MKV510 Stop Lever	1
5	52171002	. MKV520 Stop Lever	1
6	521711	. Washer	1
7	521712	. Screw	1
8	521715	. T-Bolt Assembly	1

ASSEMBLY**NOTES**

Assemble the Fence Stop

1. Using a 5/32" Allen wrench, assembly the screw (7), washer (1), and stop lever (4 or 5, depending on your unit) to the stop block (3).

NOTE

When tightening down the stop lever, after securing backoff the screw 1/16 of a revolution, just enough to allow the stop lever to swing.

2. Assemble the T-bolt assy. (9) up through the stop block (3), secure using the knob (2) and washer (6). See complete assembly, as shown in Figure 1.

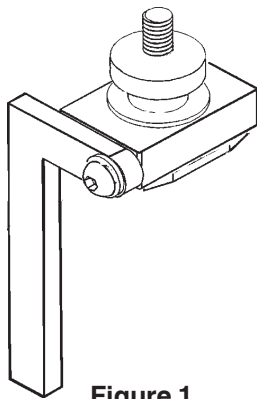


Figure 1

NOTE

If you have any additional questions, please call our Customer Service Department Toll Free 1-800-762-7555. Outside of the United States, our number is 937/898-6070 x-376. Or visit our website: www.shopsmith.com

