



42" FILTER HOOD - DUST COLLECTOR 555942

Your new 42" Filter Hood combines a large surface area with low internal pressure and a consistent dust-cake to give you excellent micron filtration along with high performance Dust Collection.

SAFETY

Throughout this instructional literature, we will list **WARNINGS, CAUTIONS, and NOTES**. We advise that, when you come to one of these listings, please read and understand it fully before proceeding further. Their meanings are:

WARNING

A **WARNING** is given when failure to follow the directions could result in injury, loss of limb, or life.



A **CAUTION** is given when failure to follow the directions could result in temporary or permanent damage to the equipment.

NOTE

A **NOTE** is used to highlight an important procedure, practice, or condition.

WARNING

To protect yourself from injury:

- ◆ **READ, UNDERSTAND, AND FOLLOW ALL the safety information.**
- ◆ **You must also READ, UNDERSTAND, AND FOLLOW ALL the safety information in the Dust Collector Owners Manual.**
- ◆ **Unplug and turn off Dust Collector during installation.**



Parts List

Ref No.	Item No.	Description	Qty
--	555942	42" Filter Hood	
1	522203	. 42" Filter Bag	1
2	522205	. Filter Support	1
3	522211	. Hardware Bag	1
4	522204	. . Bracket	2
5	522206	. . Screw, #10x3/4 Self-drilling	4
6	845536	. . Installation Instructions	1
7	845537	. . Drilling Template	1
8	522213	. Shipping Foot (for shipment only)	1

Tools Required:

- Center Punch
- Hammer
- #2 Phillips Power Driver Tip
- Variable Speed Electric Hand Drill
- #2 Phillips Screwdriver
- Masking Tape

Assembly:**NOTE****Drilling Template (845537)**

For Dust Collectors purchased before September 2003:

You must mark the center point and drill the mounting clip holes for the filter support in the left leg of your Dust Collector.

NOTE

The screws supplied are self-drilling and drill their own pilot hole for the threads. Drilling separate pilot holes are not required. Follow steps 1-7 below then skip to the section called Installing the New Filter Hood.

1. Cut out template; fold on the dashed lines and tape it to the Left Leg. Refer to Figure 1 for placement.



Figure 1

2. Center punch at the intersection of the centerlines marked as clip mounting screw locations then remove the template from the leg. See Figure 2.



Figure 2

3. Mount the #2 Phillips power-driver tip in the electric hand drill chuck.

The screws supplied are Self-Drilling. If you do not have a #2 Phillips power driver tip for your hand drill and can not use the screws self-drilling feature, you must drill 9/64" pilot holes.

4. Place one screw through a hole in a mounting clip. Position the screw tip at a center punch location. Engage the driver-tip in the screw recess, as shown in Figure 3.



Figure 3

5. Start the drill and increase the speed gradually. As the screw tip cuts through the metal leg, release the trigger of the drill. The momentum of the drill will run the threads into the metal leg.



Start driving the screw at slow speed. Increase the drill speed gradually. Do not over speed the drill. Too much speed will strip the hole in the leg as the screw cuts through the leg.

6. Repeat steps 2 through 5 for the second screw in this mounting clip and the two screws in the second mounting clip. See Figure 4.



Figure 4

- Loosen the four mounting clip screws enough to slide the straight end of the filter support between the leg and the two mounting clips. **DO NOT** slide the filter support in the mounting clips yet.

For Dust Collectors purchased after September 2003:

The left leg of your Dust Collector comes predrilled for the mounting clips to hold the filter support. Follow the steps below to install the mounting clips and filter support.

- Place one screw through a hole in a mounting clip. Position the screw tip at a mounting clip hole in the left leg of your Dust Collector. See Figure 5.



Figure 5

- Engage the driver-tip in the screw recess. Start the drill and increase the speed gradually. As the screw tip slips through the metal leg. The drill will run the threads into the metal leg.



Start driving the screw at slow speed. Increase the drill speed gradually. Do not over speed the drill. Too much speed will strip the hole in the leg as the screw tightens.

- Repeat steps 1 and 2 for the second screw in this mounting clip and the two screws in the second mounting clip. See Figure 6.



Figure 6

- Loosen the four mounting clip screws enough to slide the straight end of the filter support between the leg and the two mounting clips but do not slide the filter support in the mounting clips yet.

Installing the New Filter Hood:

The strap from your standard filter will hold your new filter in place. Follow the steps below to install the strap in your new filter.

- Remove the filter from your Dust Collector and loosen the strap screw to disengage the two strap ends, as shown in Figure 7. Slide strap from your old filter.



Figure 7

- Slide this strap through the opening in the bottom hem of your new filter. Slide the strap inside the hem until the end comes through the second slit. See Figure 8.



Figure 8

3. Engage both ends of the strap, as shown in Figure 9, but do not tighten completely.



Figure 9

4. Place the filter hem over the Dust Collector tub and position the Shopsmith Logo over the 3-way inlet of your Dust Collector and tighten the filter strap, as shown in Figure 10.



Figure 10

5. Swing the hook end of the filter support over the filter loop, hook the filter loop on the filter support. See Figure 11.



Figure 11

6. With #2 Phillips screwdriver in hand, Raise the filter until it is fully extended. Tighten the four clip mounting screws to hold the filter in place. See Figure 12.

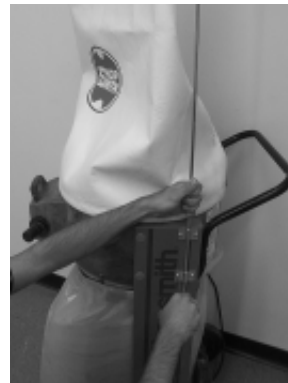


Figure 12

Cleaning the Filter Hood

Refer to the Dust Collector Owners Manual.

NOTE

Because the dust-cake on this filter hood also filters fine dust particles, this filter hood may never need to be cleaned as described in your Dust Collector Owners Manual. If you choose to launder this filter, be advised it will not filter the finest of particles until a dust-cake builds up on the inside.

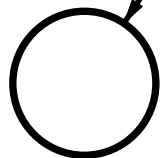
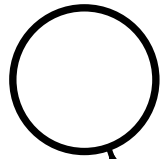
NOTE

If you have any questions about your 42" Filter Hood, please drop us an e-mail at techsupport@shopsmith.com, call us at 800/543-7586, or write to us at:

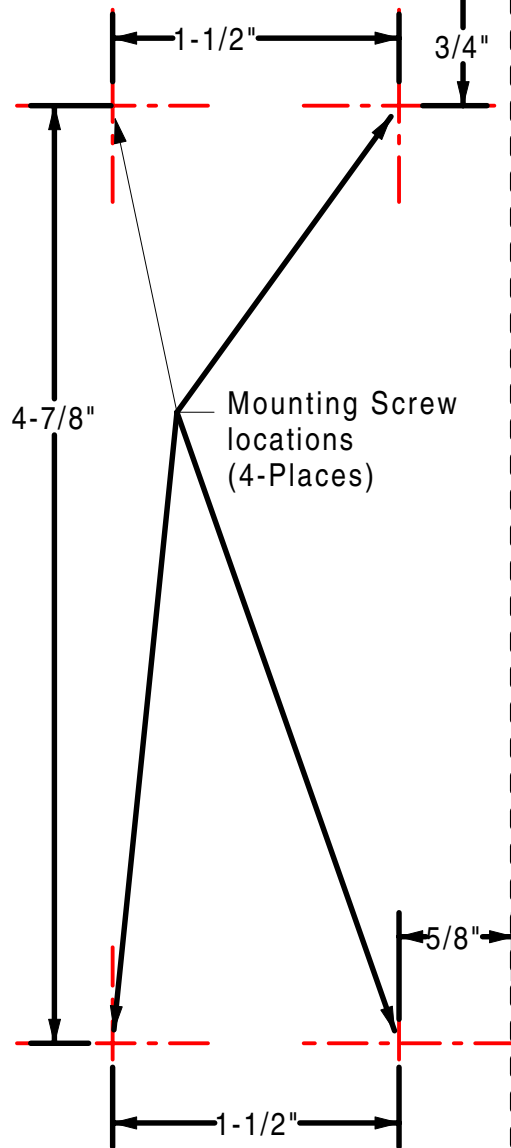
Shopsmith, Inc.
Attn: Customer Service Technical Dept.
6530 Poe Avenue
Dayton, Ohio 45414



Fold Here At Leg Top



Align leg hole caps
with these circles
on this template



Fold Here at Leg Side

Drilling Template for Rod Support Brackets



Shopsmith Inc.
6530 Poe Avenue
Dayton, Ohio 45414

©2003 Shopsmith, Inc.
All Rights Reserved
Printed In U.S.A.

845537

Rev A

06/03