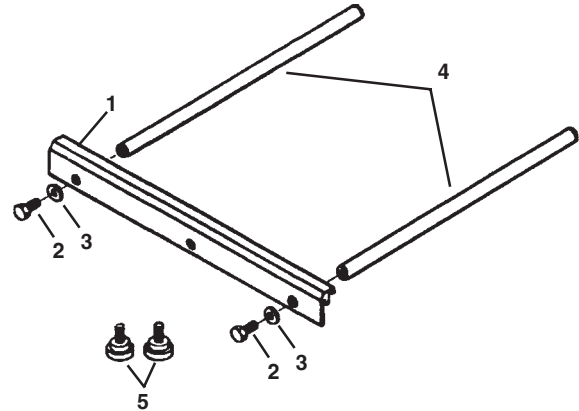




Table Extension 555488

Introduction

The extension for the Bandsaw table helps give extra support for stock as you are making the cut. Also, it is necessary for attaching the circle cutter to the Bandsaw. Follow the assembly and alignment procedures below before using the table extension with your Bandsaw. The numbers in parentheses refer to the Parts List and Exploded View.



Parts List

Ref. No.	Part Number	Item Description	Qty
1	501378	Extension Bar	1
2	120706	Hex Head Bolt 1/4-20x1/2"	2
3	120392	Flat Washer	2
4	516153	Rod	2
5	515859	Knob	2

WARNING

- **Turn off and unplug the Bandsaw before performing the following instructions for the Bandsaw Table Extension.**
- **Always wear proper safety equipment.**

Assembly and Alignment

Tools Needed:

- 7/16" wrench
- Precision square, or straightedge

ASSEMBLE THE TABLE EXTENSION

1. Place a washer (3) on a bolt (2), then thread the bolt through the extension bar (1) and into a rod's (4) end hole, as shown in Fig. 1. Make sure that the top of the bar (which will support the workpiece) is resting against the side of the rod. Finger tighten.

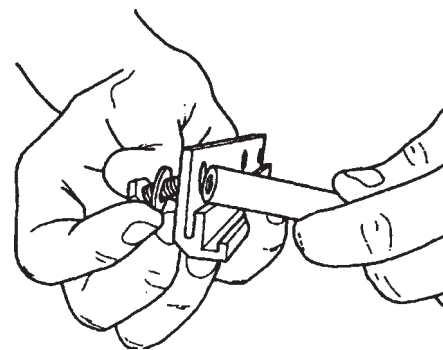


Fig. 1

- Repeat Step 1 for the other side of the bar.
- Insert both rods (4) into the table's holes, as shown in Fig. 2, and push the extension assembly against the Bandsaw table. Make sure the extension bar faces up so the top of the bar is flush with the table.

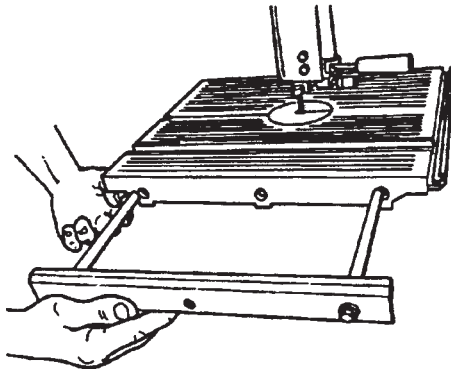


Fig. 2

- Thread both knobs (5) into the table and tighten them. See Fig. 3.

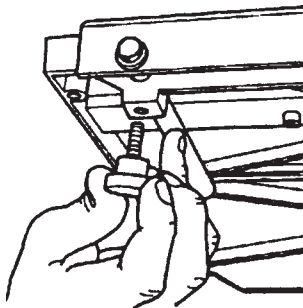


Fig. 3

ALIGN THE TABLE EXTENSION TO THE TABLE

- Place a precision square (or straightedge) over both the table and extension, as shown in Figs. 4 and 5. Adjust the extension by slightly raising or lowering the bar until it is flush with the table top.

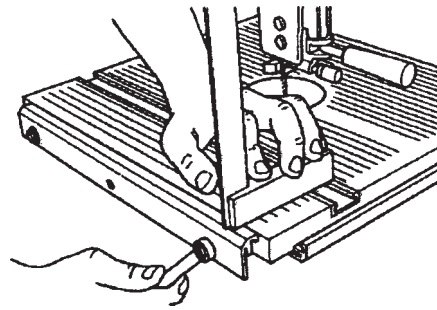


Fig. 4

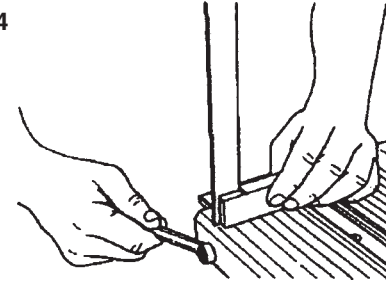


Fig. 5

- When the bar is flush with the table, use a $7/16$ " wrench to tighten the bolts, as also seen in Figs. 4 and 5. Fig. 6 shows the assembled and aligned table extension being used to support the workpiece during a cut.

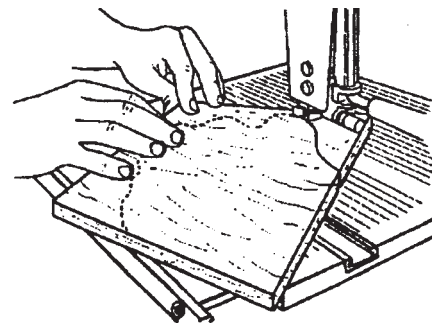


Fig. 6

NOTE

If you have any questions about your Shopsmith Bandsaw Table Extension, please call our Customer Service Department TOLL-FREE at 1-800-762-7555, send us an e-mail at techsupport@shopsmith.com, visit our website at www.shopsmith.com, or write to us at: Shopsmith, Inc., Attn: Customer Service Technical Dept., 6530 Poe Avenue, Dayton, Ohio 45414.

